

# ConceptWall 50

Facades



Reynaers  
Aluminium

Together  
for better

Together for better  
[www.reynaers.com](http://www.reynaers.com)

## Unlimited design possibilities

**ConceptWall 50** is a facade system that offers unlimited design freedom and unlimited natural light to the interior. The system is available in a variety of visual, thermal and glazing options. It also comes in fire-resistant and burglar-proof versions.

The structural diversity of the CW50 system allows it to be used both inside and outside a building. Three glazing methods are possible in the system: dry glazing with pressure plate, clamped version with mechanical fixation and flush surface on the outside and structural glazing with glass bonded to the profile.

Offering a wide range of profiles, the CW50 system meets all the expectations of contemporary architecture. Even Triple glazing is possible, making the system ideal for passive and low-energy buildings.

In addition system allows use of various opening elements, such as top-hung and parallel opening window, turn-tilt windows and flush skylights, compatible with roof application of **CW50**.



# Main benefits of ConceptWall50

## 1 Architects choice

**CW50** has a wide range of application options and a multitude of aesthetic variations, making it easy for architects to adapt these solutions to any project.

## 4 Perfected over the years

To ensure that the system meets the requirements set for it, an annual update approach mode is used - rolling development.

## 2 Tested by professionals

The **CW50** system is a global system, which means that it can be used regardless of location and climate conditions. In addition, each solution was individually tested at Reynaers Aluminium's research centres.

## 5 Strength in simplicity

**ConceptWall 50** is available in the TT variant, which simplifies logistics and installation thanks to a limited number of profiles and simplified assembly.

## 3 High performance







Thanks to its high performance, which meets the most diverse requirements, the **CW50** system can be used in the most varied constructions around the world.

## 6 A variety of possibilities

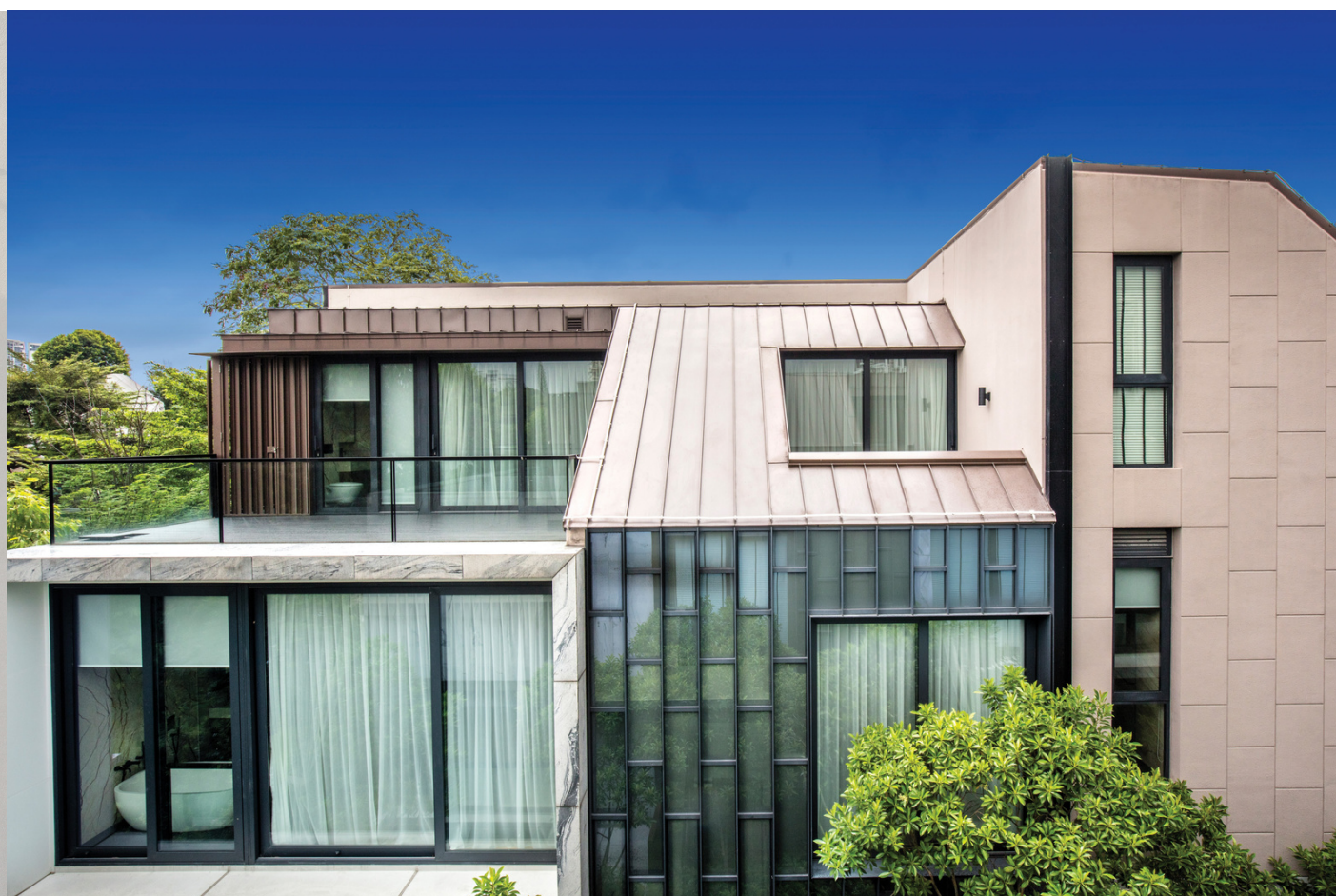
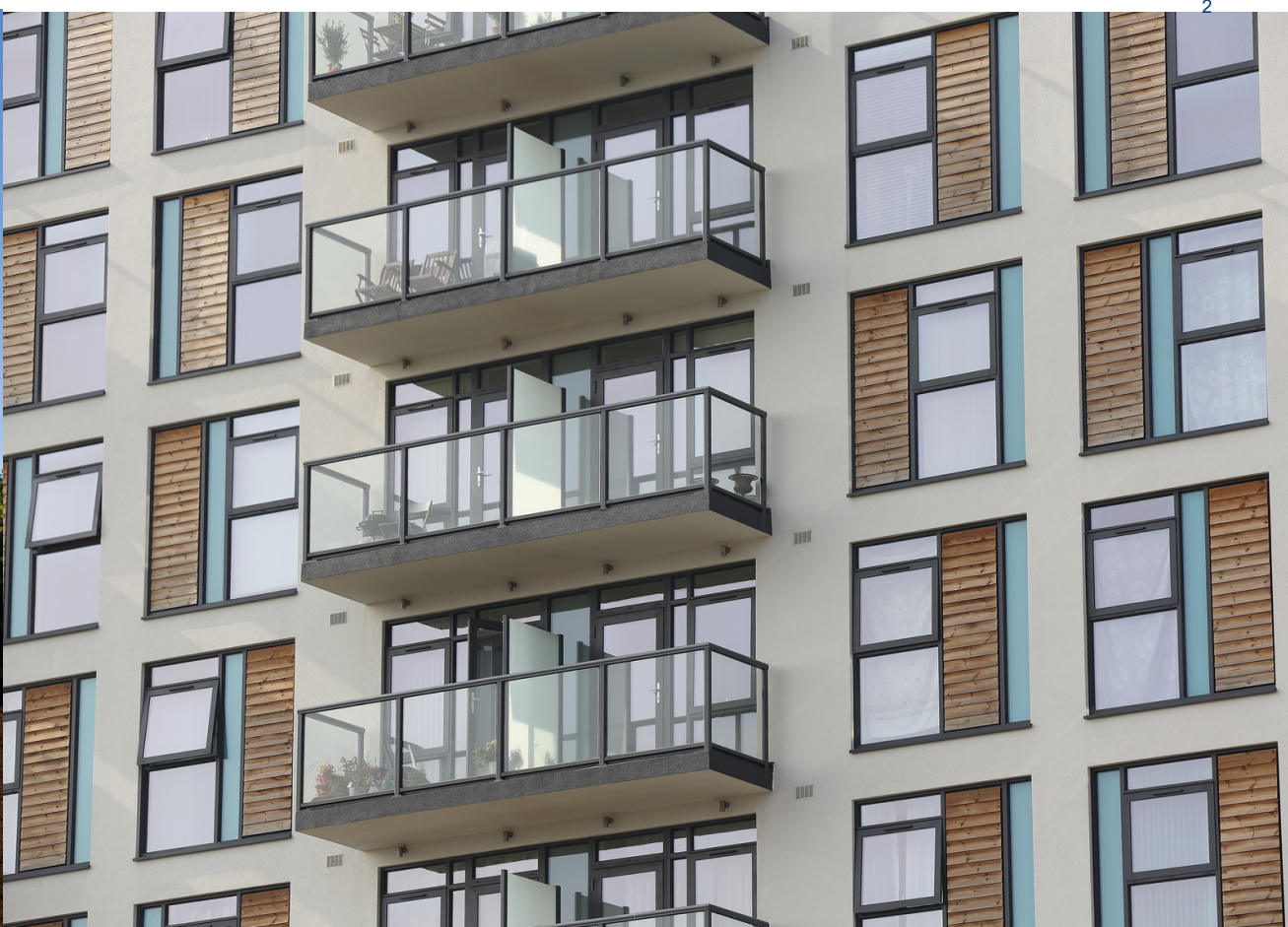
**CW50** is the most complete system in the curtain wall category in terms of design freedom and availability of solutions

# CW50 Specifications and variants

## Parameters

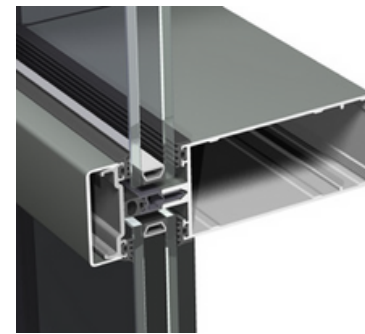
|  |  |
|--|--|
|  | Thermal insulation                       |
|  | Acoustic performance                     |
|  | Resistance to cyclic opening and closing |
|  | Wind load resistance                     |
|  | Water tightness                          |
|  | Burglar resistance                       |

|   |
|---|
| Uf-value from 0.56 W/m <sup>2</sup> K<br>depending on profile combination |
| RW(C;Ctr) = up to 60 (-2;-6) dB<br>depending on the type of glazing       |
| Up to 1950 Pa (class AE1950)  |
| Up to 2400 Pa (class 5)   |
| Up to 1950 Pa (class RE 1950)   |
| Up to RC 3 (NEN 5096 / ENV 1627)  |



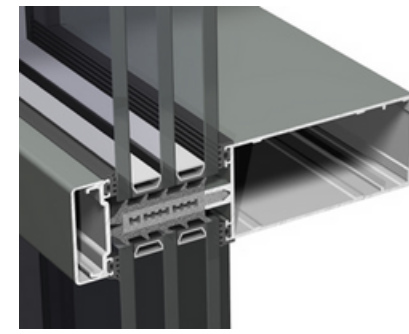
# CW50 Specifications and Variants

## Technical characteristics



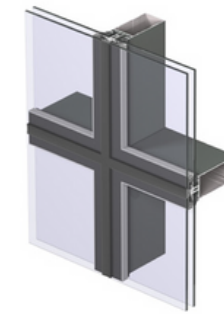
FUNCTIONAL

|                       |                    |
|-----------------------|--------------------|
| Inside visible width  | 50 mm              |
| Outside visible width | 50 mm              |
| Glazing thickness     | from 6 mm to 48 mm |



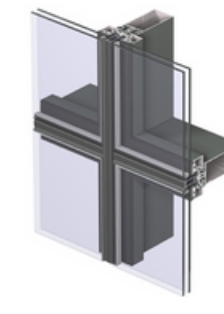
HIGH INSULATION

|                       |                     |
|-----------------------|---------------------|
| Inside visible width  | 50 mm               |
| Outside visible width | 50 mm               |
| Glazing thickness     | from 22 mm to 60 mm |



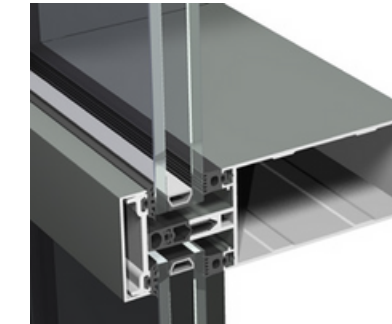
SEMI-STRUCTURAL GLAZING  
CW 50-SC

|                       |                     |
|-----------------------|---------------------|
| Inside visible width  | 50 mm               |
| Outside visible width | 50 mm               |
| Glazing thickness     | from 28 mm to 60 mm |



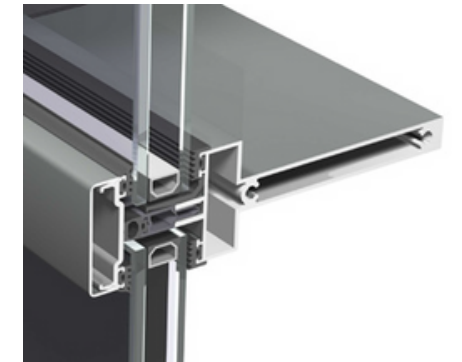
STRUCTURAL GLAZING  
CW 50-SG

|                       |                    |
|-----------------------|--------------------|
| Inside visible width  | 50 mm              |
| Outside visible width | 50 mm              |
| Glazing thickness     | from 6 mm to 36 mm |



CW 50-TT

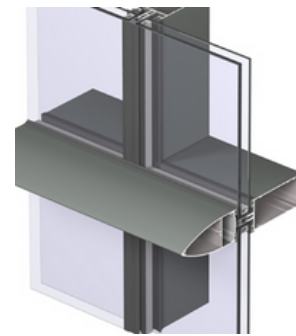
|                       |                    |
|-----------------------|--------------------|
| Inside visible width  | 50 mm              |
| Outside visible width | 50 mm              |
| Glazing thickness     | from 8 mm to 64 mm |



CW 50-SL

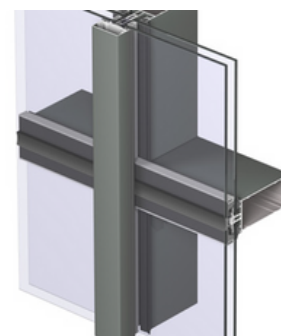
|                       |                     |
|-----------------------|---------------------|
| Inside visible width  | 15 mm               |
| Outside visible width | 50 mm               |
| Glazing thickness     | from 22 mm to 60 mm |

## Technical characteristics



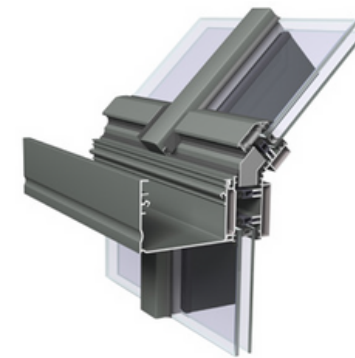
HORIZONTAL LINE  
CW 50-HL

|                       |  |
|-----------------------|--|
| Inside visible width  | 50 mm  |
| Outside visible width | vertical joint 20 mm<br>horizontal profile 50 mm |
| Glazing thickness     | from 22 mm to 48 mm                              |



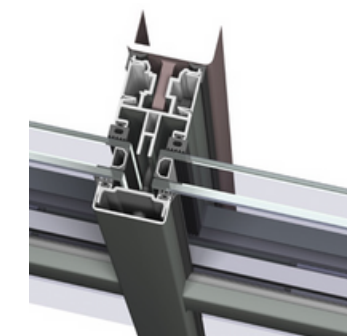
VERTICAL LINE  
CW 50-VL

|                       |  |
|-----------------------|--|
| Inside visible width  | 50 mm  |
| Outside visible width | horizontal joint 20 mm<br>vertical profile 50 mm |
| Glazing thickness     | from 27 mm to 40 mm                              |



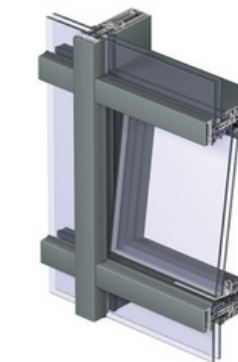
ROOF SOLUTION SKYLIGHT  
CW 50-RA

|                       |                    |
|-----------------------|--------------------|
| Inside visible width  | 50 mm              |
| Outside visible width | 50 mm              |
| Glazing thickness     | from 8 mm to 60 mm |



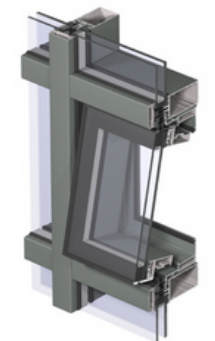
ASSEMBLY ON A STEEL  
FRAME

|                       |                    |
|-----------------------|--------------------|
| Inside visible width  | 50 mm              |
| Outside visible width | 50 mm              |
| Glazing thickness     | from 6 mm to 60 mm |



HIDDEN VENT  
(OPENING INWARDS)

|                       |   |
|-----------------------|---|
| Inside visible width  | 80 mm   |
| Outside visible width | 50mm facade with cover cap/<br>0mm SC facade<br>for window 22-28 mm<br>(for window SC 29-32 mm) |
| Glazing thickness     |   |



Outward opening window  
(THW and POW)

|                       |                            |
|-----------------------|----------------------------|
| Inside visible width  | 108 mm                     |
| Outside visible width | 105 mm with clip /50 mm SG |
| Glazing thickness     | from 24 mm to 62 mm        |



Reynaers  
Aluminium

Together  
for better

Together for better  
[www.reynaers.com](http://www.reynaers.com)

09/2023